



Date: _____ Job Name: _____

Wholesale Distributor: _____ Job Location: _____

Roofing Contractor: _____ Job Date: _____

System: TPO PVC

Color: White Tan Gray

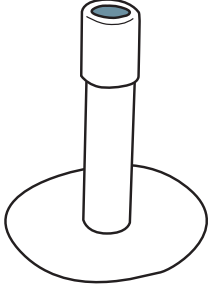
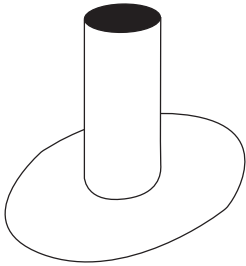
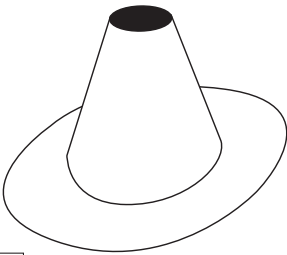
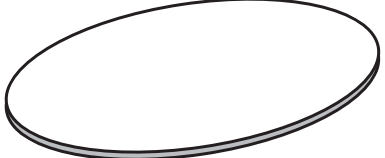
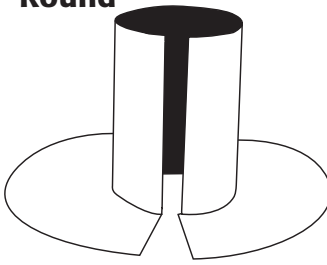
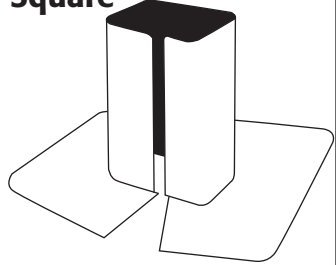
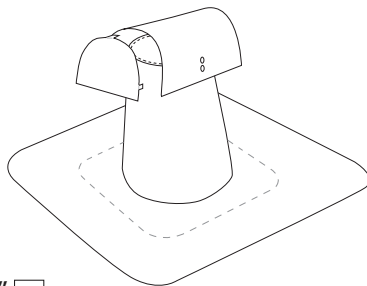
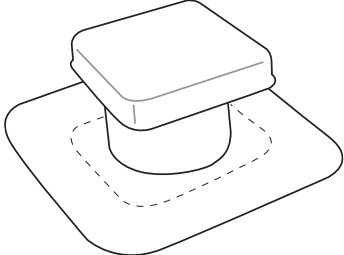
Note: For multiple sizes use additional quote forms.

Please email or fax this form to:

Sales@FlashCoMfg.com

Fax: (707) 824-5858



<p>FlashCap®</p>  <p>Qty: _____</p> <p>Size: 1½" <input type="checkbox"/> 2" <input type="checkbox"/> 3" <input type="checkbox"/> 4" <input type="checkbox"/></p>	<p>Pipe Boots - Cylindrical</p> <p>Hose Clamps included</p>  <p>Qty: _____</p> <p>Size: 1" id <input type="checkbox"/> 2" id <input type="checkbox"/> 3" id <input type="checkbox"/> 4" id <input type="checkbox"/></p>
<p>Pipe Boots - Conical</p> <p>Hose Clamps included</p>  <p>Qty: _____</p> <p>Size: 1"-6" <input type="checkbox"/> 1"-2½" <input type="checkbox"/> 2½"-5" <input type="checkbox"/> ½"-1½" <input type="checkbox"/> 2½"-3½" <input type="checkbox"/></p>	<p>T-Joint Covers</p>  <p>Qty: _____ 100/bag</p> <p>Size: 4½" <input type="checkbox"/></p>
<p>FlashWrap™ Split Boots - Round</p> <p>Hose Clamps included</p>  <p>Qty: _____</p> <p>Size: 1½" <input type="checkbox"/> 2" <input type="checkbox"/> 3" <input type="checkbox"/> 4" <input type="checkbox"/> 5" <input type="checkbox"/> 6" <input type="checkbox"/></p>	<p>FlashWrap™ Split Boots - Square</p>  <p>Qty: _____</p> <p>Size: 1½" <input type="checkbox"/> 2" <input type="checkbox"/> 3" <input type="checkbox"/> 4" <input type="checkbox"/> 5" <input type="checkbox"/> 6" <input type="checkbox"/></p>
<p>T-Top Vent</p>  <p>Qty: _____</p> <p>Size: 4" <input type="checkbox"/> 6" <input type="checkbox"/> 8" <input type="checkbox"/></p>	<p>Square Top Vent</p> <p>One way <input type="checkbox"/> Tway <input type="checkbox"/></p>  <p>Qty: _____</p> <p>Size: 8" <input type="checkbox"/></p>



Date: _____

Job Name: _____

Wholesale Distributor: _____

Job Location: _____

Roofing Contractor: _____

Job Date: _____

System: TPO PVC

Please email or fax this form to:

Color: White Tan Gray

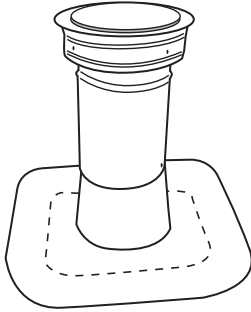
Sales@FlashCoMfg.com

Note: For multiple sizes use additional quote forms.

Fax: (707) 824-5858



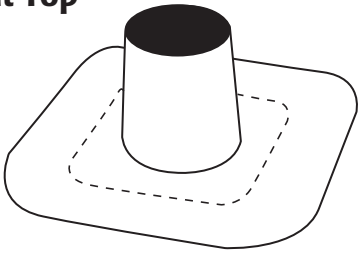
Exhaust Vent with Top



Qty: _____

Size: 4" 6" 8"

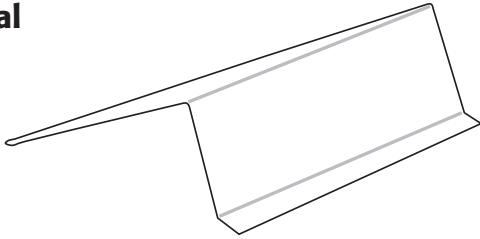
Exhaust Vent without Top



Qty: _____

Size: 4" 6" 8"

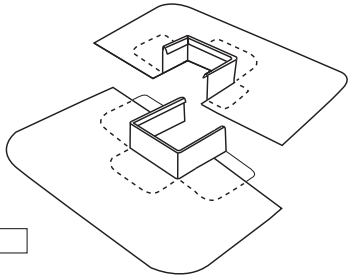
Cladded Metal



Qty: _____

Size: 2" x 4" x 10'
3" x 3" x 10' 4' x 10' Full Sheet

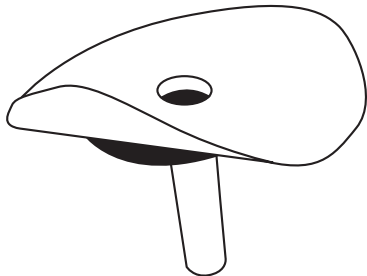
Sealant Pocket



Qty: _____

Size: 4" 6" 8"

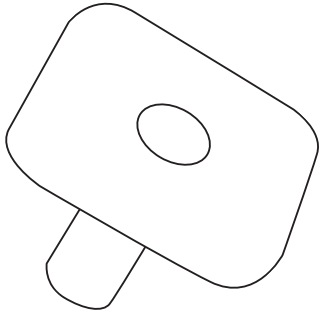
Drop Outlet



Qty: _____

Size: 2" 3"

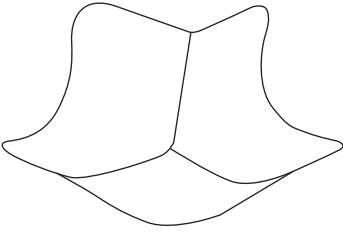
Drain Boot



Qty: _____

Size: 2" 3"

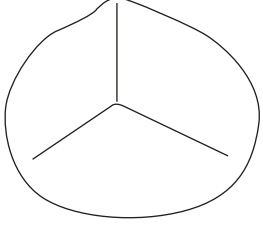
Outside Corner



Qty: _____ 24/box

Size: 6" x 6" x 6"

Inside Corner



Qty: _____ 24/box

Size: 6" x 6" x 6"