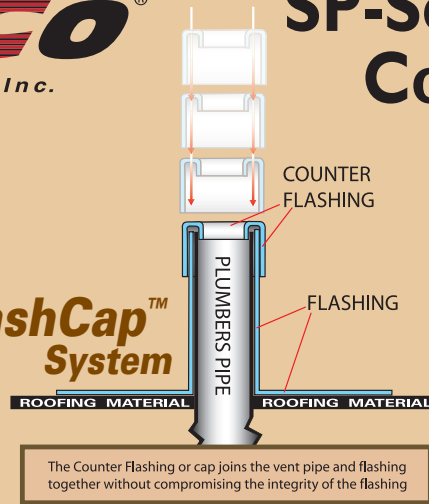




**FlashCap™
System**



FlashCo[®] SP-Series Flashing is recommended for round roof penetrations for Single-Ply roofing systems. The SP-Series flashing is shaped the same as the penetration, cylindrical not conical. The penetration is completely protected from harmful uv rays.

The flashing is designed to shed water away from the penetration with the base material wrapping up into the riser. The flashing is constructed with reinforced single-ply material so it will be as durable as the roof system being installed. All seams are factory heat welded.

The pre-fabricated flashing is simply placed over the penetration and heat welded to the roofing membrane saving the roofer significant time. Cutting down of a conical shaped flashing to size, caulking, and clamping is not required for plumbing vent penetrations when using FlashCo's[®] FlashCap™ System.

Counter Flashing for Vent Pipe

The SP-Series Flashing with Counter Flashing referred to as the FlashCap™ System protects the entire vent pipe making it watertight. The FlashCap™ System ties the vent pipe and flashing together creating a positive seal. Venting capacity is maximized and no caulking or clamping is required. The counter flashing or cap is placed on top of the flashing and fits snugly within the pipe and over the flashing.

Counter Flashing for Non-Vent Pipe

A Single-Ply membrane or collar is recommended when the penetration is not standard vent pipe. The single-ply membrane is formed above the flashing and held in place with a stainless steel hose clamp. See detail drawing for additional information

Roofing Systems: Single-Ply Systems such as, Thermoplastic Polyolefin (TPO), Polyvinyl Chloride (PVC), Copolymer Alloy (CPA), Ethylene Inter Polymer (EIP), and other compounded thermoplastics.

Suggested Specification Statement: Provide FlashCo[®] SP-Series plumbing flashing with counter flashing (FlashCap™ System) for each round vent penetration. Include stainless steel hose clamp and appropriate caulking sealant for each non-vent penetration. Flashing shall be installed in accordance with the recommendations and specifications of the roofing material manufacturer.

Specify size of penetration

Pipe or Conduit **Size**

1/2"	1 1/2"	3 1/2"	8"
3/4"	2"	4"	10"
1"	2 1/2"	5"	12"
1 1/4"	3"	6"	

Specify type of penetration

Pipe, Conduit, or Tube **Type**

Standard Pipe Sizes

(Applies to most steel pipe, No Hub, Galvanized or Steel Rigid Conduit, Inter. Metal Conduit, Alum. Rigid Conduit, ABS, and PVC)

Electrical Metallic Tubing(EMT)

Copper Tubing

Other not listed above: _____

OR

Specify Outside Diameter (OD) of penetration:

Outside Diameter: _____

Note: When determining the inside diameter of the riser an 1/8" to 3/8" is added to the outside diameter of the penetration providing a proper fit and allowing for easy installation.

SP-Series Single-Ply Flashings - Standard

- Specified Material Type
 - Standard 4" Skirt (60mil)
 - Standard 12" Riser (40 or 45 mil)

Product Code	Riser (id) Inside Dia.	Product Code	Riser (id) Inside Dia.
---P-0100	1"	---P-0325	3 1/4"
---P-0125	1 1/4"	---P-0375	3 3/4"
---P-0150	1 1/2"	---P-0425	4 1/4"
---P-0175	1 3/4"	---P-0475	4 3/4"
---P-0200	2"	---P-0588	5 7/8"
---P-0225	2 1/4"	---P-0688	6 7/8"
---P-0275	2 3/4"	---P-0888	8 7/8"
---P-0300	3"	---P-0990	Any id

Note(First 3 digits in Code): ---TPO=SPT; PVC=SPP

Available Options - Must Specify

Color White Tan Gray
 Material TPO PVC Other: _____
 Skirt Size 6" 8" Other: _____
 Riser Height 8" 16" Other: _____
 Inside Diameter Riser; Any id: _____
 Single-Ply Thickness: 45mil 60mil Other: _____

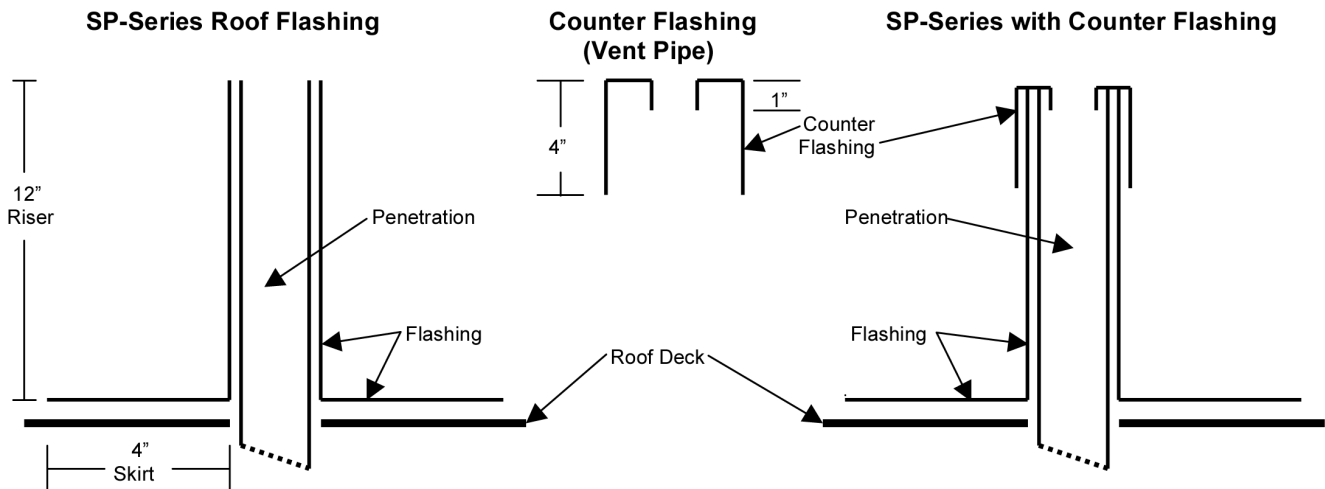
Counter Flashings for Vent Pipe

Product Code	Std. Vent Pipe Size
SPTCF-225	1 1/2"
SPTCF-275	2"
SPTCF-375	3"
SPTCF-475	4"

Available Options - Must Specify

Color: White Tan Gray
 Material: TPO Other: _____

Cross Section of SP-Series Flashing and Counter Flashing



- Notes:
- 1) Standard 60mil reinforced single-ply base material with 4"skirt unless specified.
 - 2) Standard 45mil reinforced single-ply riser material with 12" Riser unless specified.
 - 3) Single-Ply material complies with applicable ASTM specification.
 - 4) Flashing shall be installed in accordance with the recommendations and specifications of the roofing material manufacturer.

FlashCo® Toll Free: (866) 323-5274

1452 Industrial Avenue • Sebastopol, CA 95472 • Fax (707) 824-5858 • www.flashcomfg.com