

ROOF SYSTEM: LOW SLOPE - BUILT-UP ROOFING

Scupper: (Lateral Drain)

Cant Strip: Yes No

Standard: 4# Lead Flange
24 Ga. Galvanized Metal Throat

Options:

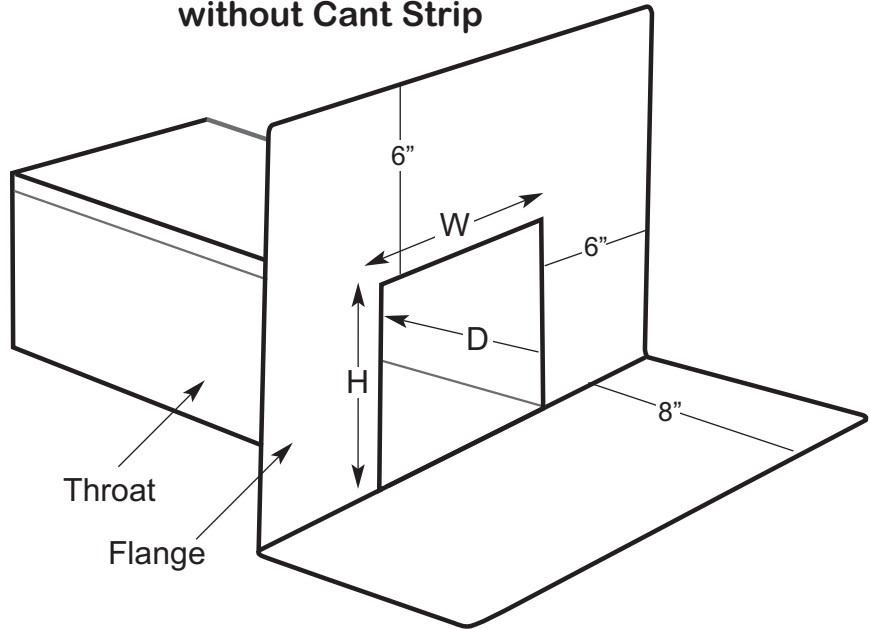
24 Ga. Galvanized Flange & Throat

16 Oz. Copper Flange & Throat

Available with Modified Membrane Attached:

APP SBS

Throughwall Scupper without Cant Strip



Throat Dimensions:

Width: _____

Height: _____

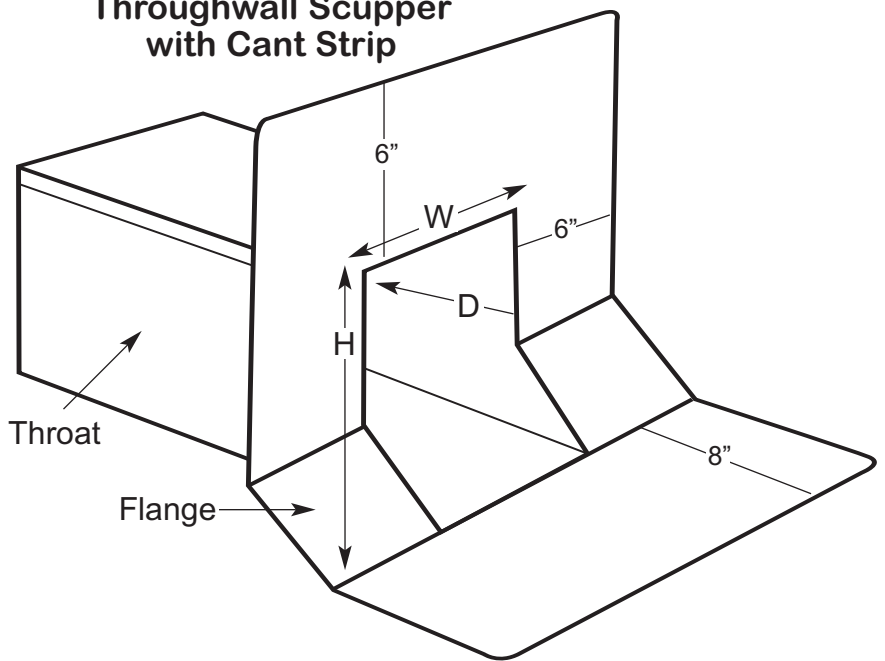
Depth: _____

(All Dimensions in Inches)

Cant Strip Dimensions:

2" 3" Other _____

Throughwall Scupper with Cant Strip



Order Quantity: _____
Use 1 sheet per size.

For Sales and Service:

Phone: 866-323-5274 • Fax: 707-824-5858 • E-mail: sales@flashcomfg.com

SPEC SHEET
AVAILABLE ONLINE

Drawing: BU001 Built-Up Throughwall Scupper/Drain Flashing with or without Cant Strip



©2009 FlashCo Manufacturing, Inc.