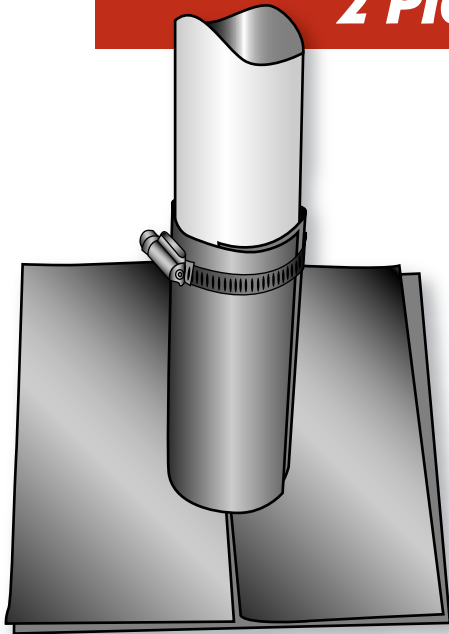




Weatherhead

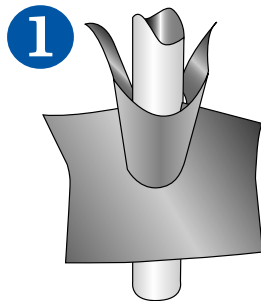
Retrofit Flashing

2 Piece Flashing for Electrical Mast

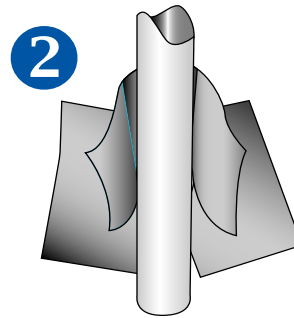


Assembled

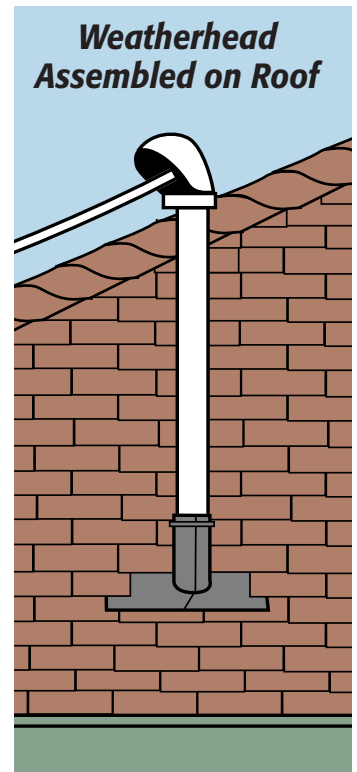
- **Easy to Install**
- **No Service Disruption**
- **Completely Watertight**



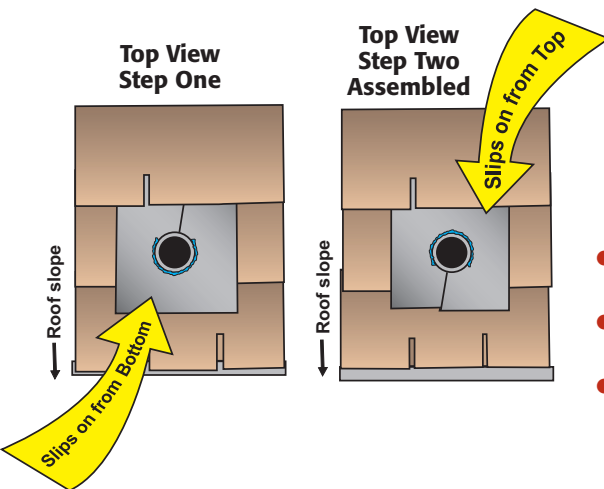
Open up piece 1, wrap around conduit (Install with base split towards ridge of roof)



Open up piece 2, wrap around conduit over piece 1 (Install with base split towards bottom of roof)



Finally...a Low Cost Retrofit Weatherhead Flashing!



10 Minute Installation!

- **Made to Pitch of Roof**
- **No Soldering Required**
- **Caulk & Hose Clamp for Counter Flashing**

