

## Plumbers Flashing - FlashCap®

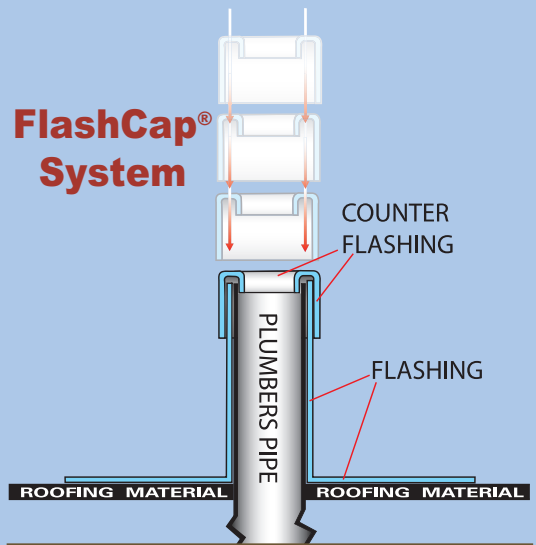
Item Number	Size
LFC225	1 1/2"
LFC275	2"
LFC375	3"
LFC475	4"

SPEC-SHEET  
AVAILABLE ONLINE

Construction: 4# All Lead  
Note: Size based on Standard Pipe Size



## FlashCap® System



Save time not having to bend lead down into pipe, maximize venting capacity and allows for expansion and contraction.

## Cylindrical Plumbing Boots

SPEC-SHEET  
AVAILABLE ONLINE

Item Number	Size (Standard Pipe Size)
L075	1/2" emt
L100	1/2"
L125	3/4"
L150	1"
L175	1 1/4"
L200	1 1/2" emt
L225	1 1/2"
L275	2"
L325	2 1/2"
L375	3"
L475	4"
L588	5"
L688	6"
L888	8"
L999	Specify Size



Construction: 4# All Lead  
Note: See specification sheet for more information and submittal.

## Exhaust Flashings

SPEC-SHEET  
AVAILABLE ONLINE

Item Number	Size
LG3_-6	3" Base
LG4_-6	4" Base
LG6_-6	6" Base
LG8_-6	8" Base

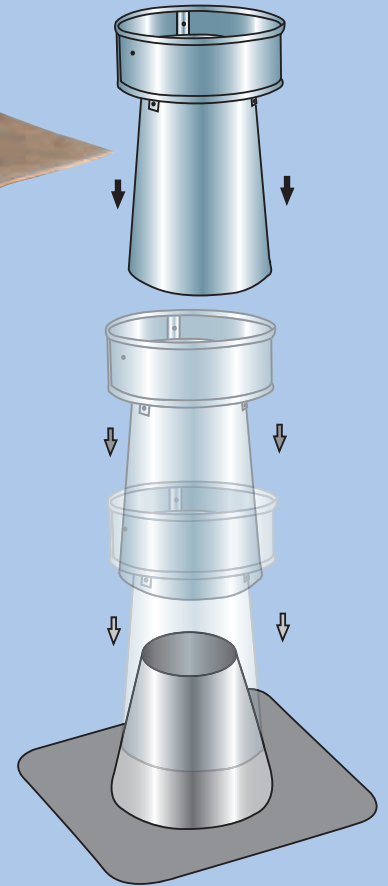


Construction: 4# Lead Base and 24 Gauge Galvanized Cone  
Specify Exhaust Type (\_): B = Heated Exhaust, F = Fan Exhaust  
Note: Size based on Standard Pipe Size

## Tops

Item Number	Size
TA30	3" Top, Tall
TG40N	4" Top, Short
TA40	4" Top, Tall
TG60N	6" Top, Short
TA60	6" Top, Tall
TG80N	8" Top, Short
TA80	8" Top, Tall

Note: Size based on Standard Pipe Size



## FLASHWRAP™ SPLIT FLASHINGS

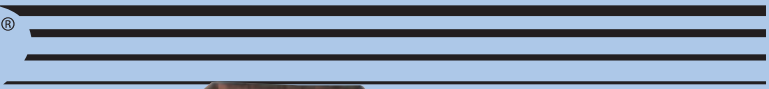
### Split Flashings - Round

SPEC-SHEET  
AVAILABLE ONLINE

Item Number	Size (Actual id)
L991-3	1.00" – 3.25"
L991-4	3.50" – 4.25"
L991-5	4.50" – 5.25"
L991-6	5.50" – 6.25"
L991-7	6.50" – 7.25"
L991-8	7.50" – 8.25"
L991-9	8.50" – 9.25"
L991-10	9.50" – 10.25"
L991-99	Specify Size

Construction: 4# All Lead



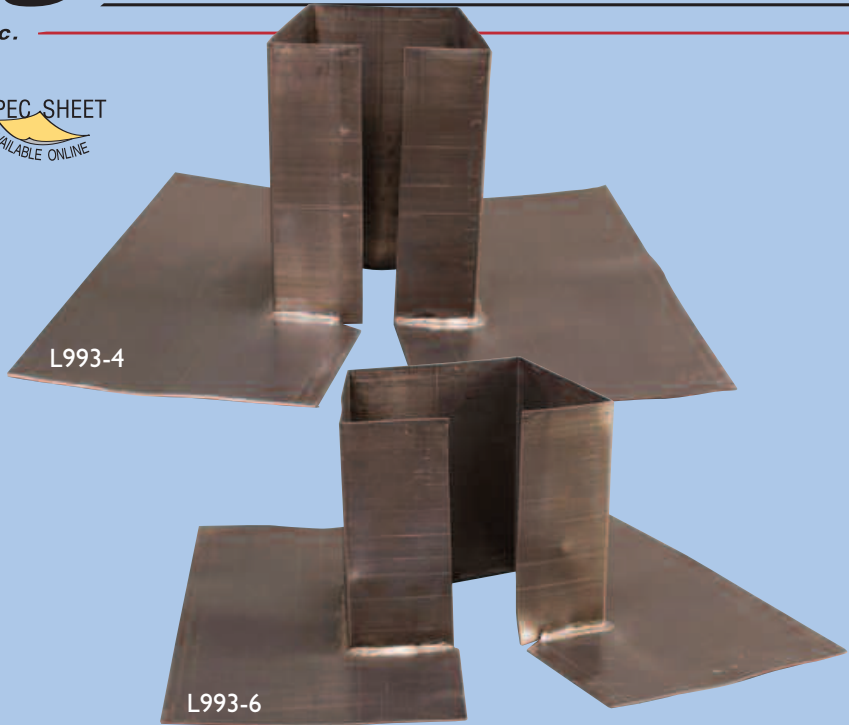


## Split Flashings - Square

SPEC SHEET  
AVAILABLE ONLINE

Item Number	Size (Actual id)
L993-3	1.00" – 3.25"
L993-4	3.50" – 4.25"
L993-5	4.50" – 5.25"
L993-6	5.50" – 6.25"
L993-7	6.50" – 7.25"
L993-8	7.50" – 8.25"
L993-9	8.50" – 9.25"
L993-10	9.50" – 10.25"
L993-99	Specify Size

Construction: 4# All Lead

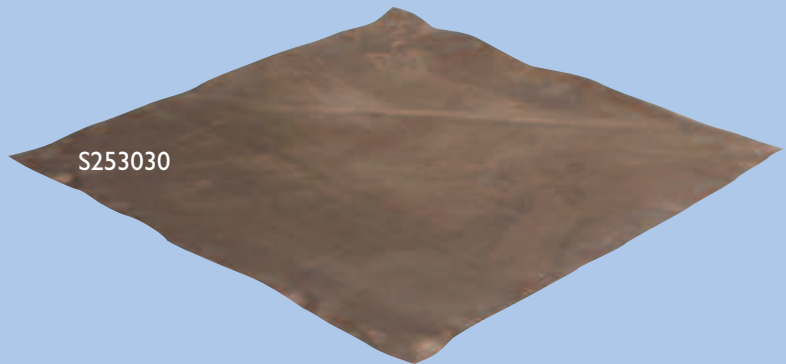


## SHEET LEAD

### Drain Pan Lead

Item Number	Size
S253030	2½# 30" x 30"
S253636	2½# 36" x 36"
S43030	4# 30" x 30"
S43636	4# 36" x 36"

Note: Packaged 50/Pallet but sold separately.



### Rolled Lead

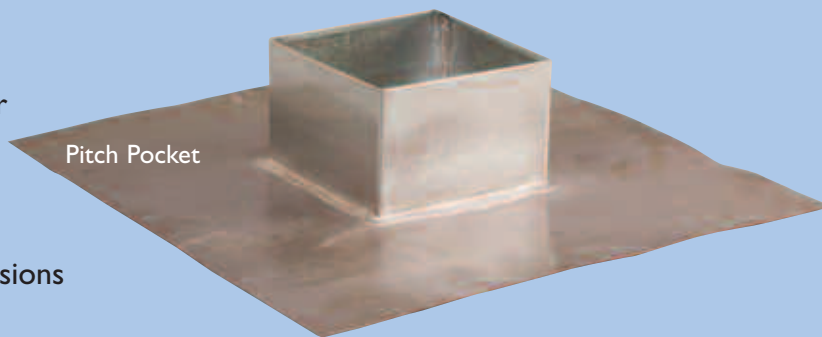
Item Number	Size
S2512300	2½# 12" x 25'
S2524300	2½# 24" x 25'
S2536300	2½# 36" x 25'
S2548300	2½# 48" x 25'
S412300	4# 12" x 25'
S424300	4# 24" x 25'
S436300	4# 36" x 25'
S448300	4# 48" x 25'



## Pitch Pockets

SPEC SHEET  
AVAILABLE ONLINE

- Construction: Lead Base Galvanized Riser
- Made to order
- Available Split to wrap around penetrations or one piece
- See FlashCo Drawing for required dimensions
- Download spec sheet on website

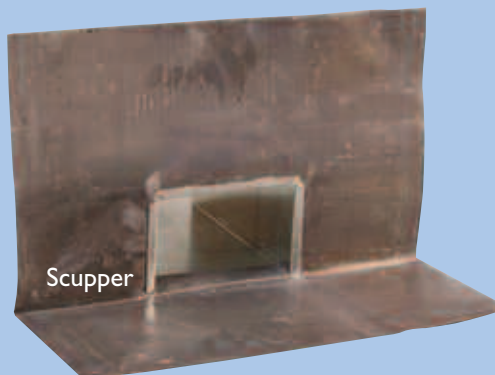


Pitch Pocket

## Scuppers

SPEC SHEET  
AVAILABLE ONLINE

- Construction: Lead Skirt Galvanized Throat
- Made to order
- See FlashCo Drawing for required dimensions
- Download spec sheet on website



Scupper

## Solder and Accessory Items

Item Number	Description
SO516	5/16" 50/50 Tri-Bar Solder x 50# Box
F16P	La-Co Paste Flux x 16 oz
F16L	La-Co Liquid Flux x 16 oz
FB	Flux Brush



Tri-Bar Solder

Flux Brushes



La-Co Paste Flux



La-Co Liquid Flux