

ROOF SYSTEM: LOW SLOPE - SINGLE-PLY

Type: TPO PVC Other

Standard Reinforced Membrane
With 6" Flange:

Color: White Tan Gray

Non-Reinforced Membrane is Optional

Riser Height: 8" Std. 12" OR _____ Inches

Top: 26 Gauge Painted Steel

Standard Sizes:

4"

6"

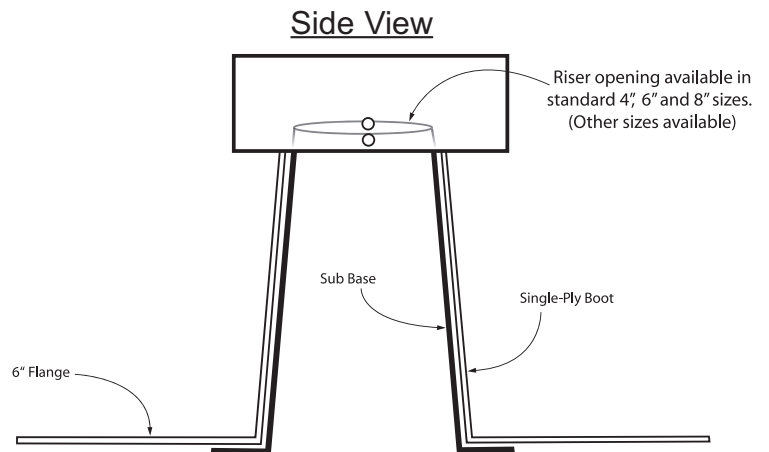
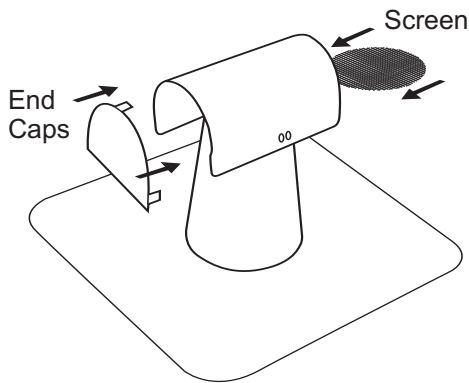
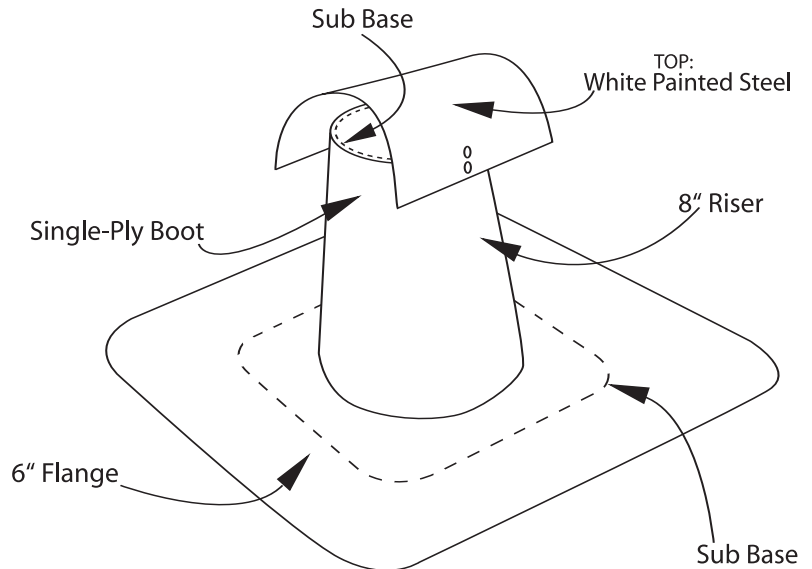
8"

Other sizes made to order.

Size: _____

Options:

Screen End Caps



Order Quantity: _____
Use 1 sheet per size.

For Sales and Service:

Phone: 866-323-5274 • Fax: 707-824-5858 • E-mail: sales@flashcomfg.com