

## L-Series Flashing with Counter Flashing



**L-Series Flashing**

### L-Series Flashing

FlashCo L-Series Flashing is recommended for round roof penetrations. The L-Series all-lead seamless riser flashing provides a watertight seal completely protecting the penetration. Installation time is minimal, as lead does not need to be fastened to the insulation or roof deck.

Lead flashing characteristics such as mass, malleability, expansion and contraction, eliminate the need for penetrating fasteners. The cylindrical lead riser, is the same shape as the penetration so the riser does not need to be reinforced. When utilizing the FlashCo L-Series Flashing complications associated with electrolysis are eliminated since dissimilar metals such as fasteners or steel boots are not required.

**Roofing Systems:** Lead is recommended and preferred for built-up roofing (BUR) systems such as: Styrene Butadiene Styrene (SBS) Modified and Atactic Polypropylene (APP) Modified. Lead flashings are ideal for systems involving tapered insulation because fastening is not necessary. Flashings are designed for the *flat* roof up to a 2/12 pitch or a slope no greater than 8 degrees.

**Suggested Specification Statement:** Provide FlashCo L-Series lead flashing with counter flashing for each round roof penetration. Include stainless steel hose clamp and appropriate caulking sealant for each non-vent penetration. Flashing shall be installed in accordance with the recommendations and specifications of the roofing material manufacturer.



**Counter Flashing for Vent Pipe**

### Counter Flashing for Vent Pipe

The L-Series Flashing with Counter Flashing protects the entire vent pipe making it watertight. The seamless counter flashing ties the vent pipe and flashing together without compromising the integrity of the flashing. Venting capacity is maximized while the pipe and or flashing are allowed to expand and contract. The counter flashing is simply placed on top of the flashing and fits snugly within the pipe and over the flashing. No caulking or fastening is required.

### Counter Flashing for Non-Vent Pipe

A lead bonnet or collar is recommended when the penetration is continuous. Lead is formed above the flashing and held in place with a stainless steel hose clamp. See detail drawing for additional information.

Specify size of penetration  
Pipe or Conduit **Size**

|        |        |        |     |
|--------|--------|--------|-----|
| 1/2"   | 1 1/2" | 3 1/2" | 8"  |
| 3/4"   | 2"     | 4"     | 10" |
| 1"     | 2 1/2" | 5"     | 12" |
| 1 1/4" | 3"     | 6"     |     |

Specify type of penetration  
Pipe, Conduit, or Tube **Type**

Standard Pipe Sizes

(Applies to most steel pipe, No Hub, Galvanized or Steel Rigid Conduit, Inter. Metal Conduit, Alum. Rigid Conduit, ABS, and PVC)

Electrical Metallic Tubing(EMT)

Copper Tubing

Other not listed above: \_\_\_\_\_

**OR**

Specify Outside Diameter (OD) of penetration:

Outside Diameter: \_\_\_\_\_

Note: When determining the inside diameter of the riser an 1/8" to 3/8" is added to the outside diameter of the penetration providing a proper fit and allowing for easy installation.

L-Series Flashings - Standard

- All 4#(1/16") Lead Construction
- Standard 6" Skirt
- Standard 12" Riser

| Product Code | Riser (id) Inside Dia. |
|--------------|------------------------|
| L075         | 3/4"                   |
| L100         | 1"                     |
| L125         | 1 1/4"                 |
| L150         | 1 1/2"                 |
| L175         | 1 3/4"                 |
| L200         | 2"                     |
| L225         | 2 1/4"                 |
| L275         | 2 3/4"                 |

| Product Code | Riser (id) Inside Dia. |
|--------------|------------------------|
| L325         | 3 1/4"                 |
| L375         | 3 3/4"                 |
| L425         | 4 1/4"                 |
| L475         | 4 3/4"                 |
| L588         | 5 7/8"                 |
| L688         | 6 7/8"                 |
| L888         | 8 7/8"                 |
| L990         | Any id                 |

Counter Flashings for Vent Pipe

| Product Code | Std. Vent Pipe Size |
|--------------|---------------------|
| LC225        | 1 1/2"              |
| LC275        | 2"                  |
| LC375        | 3"                  |
| LC475        | 4"                  |

Available Options - Must Specify

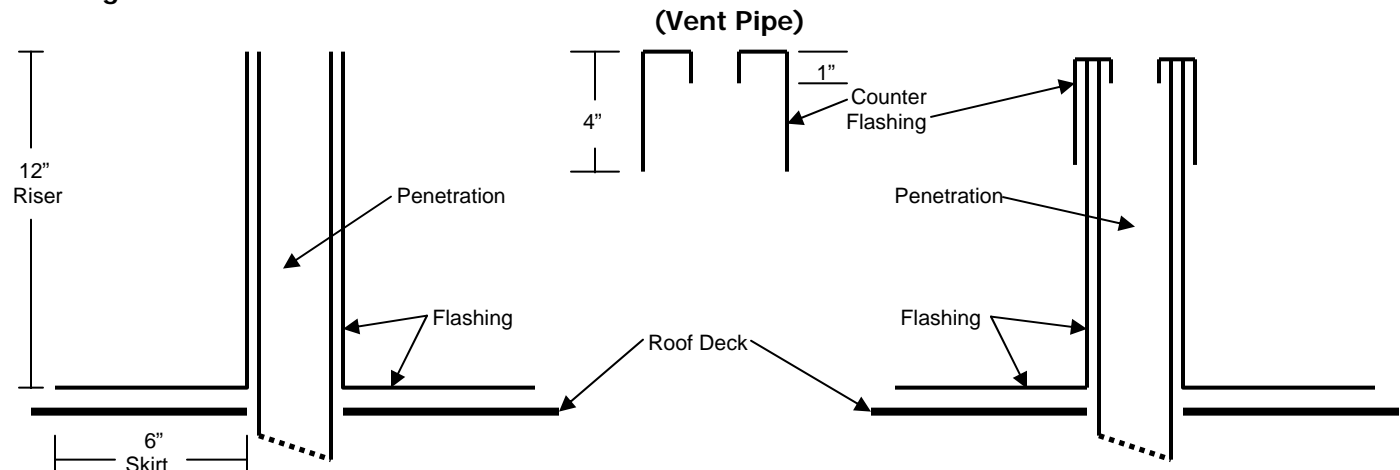
Skirt Size 8" 10" Other: \_\_\_\_\_  
 Riser Height 8" 16" Other: \_\_\_\_\_  
 Inside Diameter Riser; Any id: \_\_\_\_\_  
 Lead Thickness: 6lb Other: \_\_\_\_\_

### Cross Section of L-Series Flashing and Counter Flashing

**L-Series Lead Roof Flashing**

**Lead Counter Flashing**

**L-Series with Counter**



Notes: 1) Standard 4# Lead, 6" Skirt, and 12" Riser unless otherwise specified.

2) Sheet lead and pipe comply with the chemical composition of Federal Specification QQ-L-201f and ASTM B 749-85.

3) Fits round roof penetrations from 1/2" to 12"  
 4) Flashing shall be installed in accordance with the recommendations and specifications of the roofing material manufacturer.