

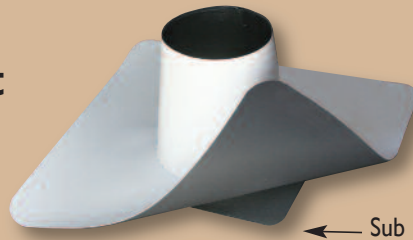


## FlashVent™ FLASHINGS

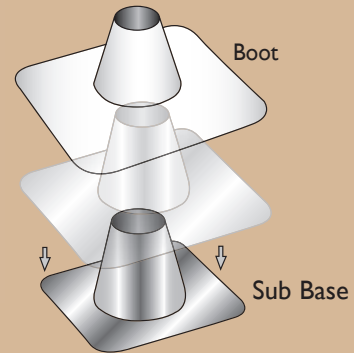
Standard Vents for Exhaust and Gravity Ventilation

- No Field Fabrication Required
- Fasten Sub Base...Heat Weld...Done!!!

### Sub Base and Boot



Sub base



Standard sizes:

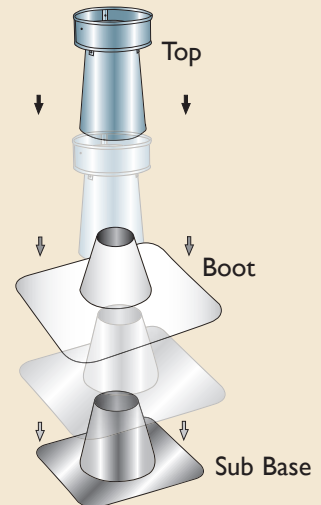
4", 6", 8", 10", 12" and 4" Oval  
Other sizes available.

### Assemblies

Sub Base, Boot & Top

Standard sizes:

4", 6", 8", 10", 12" and 4" Oval  
Other sizes available.



### T-Tops and Square Tops

Standard sizes:

4", 6" and 8"  
Other sizes available.



T-Top



8" Square Top



**THICKER  
IS BETTER**



**STRONGER-  
LASTS LONGER**

