



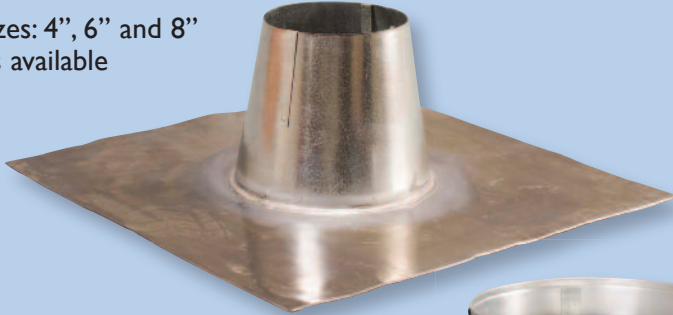
Save up to **30 Minutes or More**
PER DETAIL with Prefabricated Parts



FlashVent™ Exhaust Flashings

- No field fabrication required...installs in minutes!

Standard sizes: 4", 6" and 8"
Other sizes available



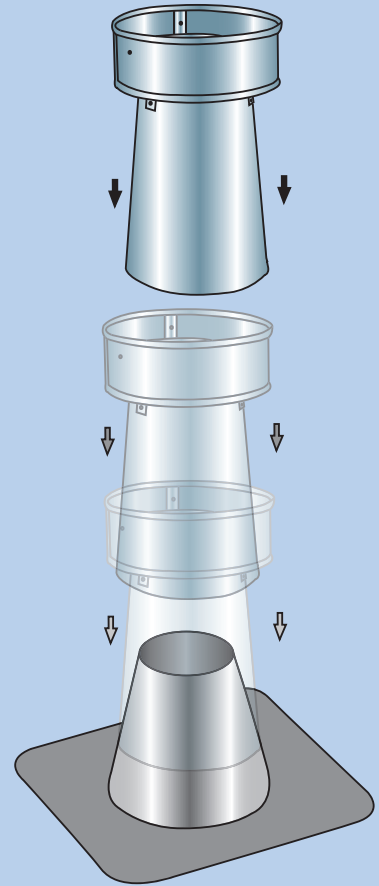
Tops



Short Top (Galvanized)
for Fan or Vent



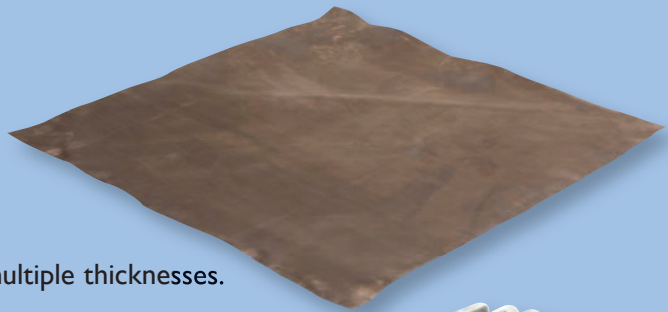
Tall Top (Aluminum)
for Heated Exhaust or Vent



Sheet Lead

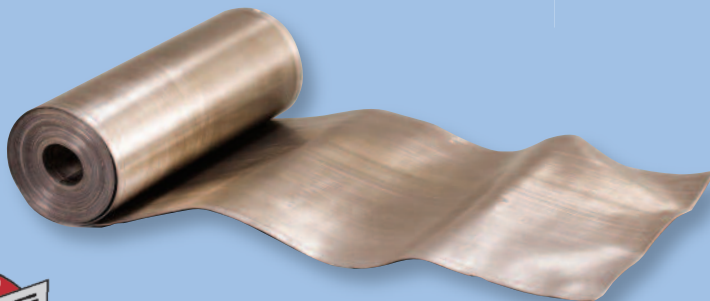
Drain Pan Lead

Standard Sizes include: 30" x 30 and 36" x 36"



Rolled Lead

FlashCo[®] offers a huge selection of rolled lead in multiple thicknesses.
Available in flashing rolls and full rolls.



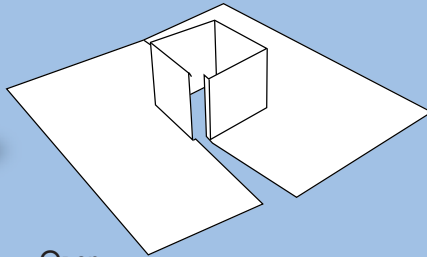
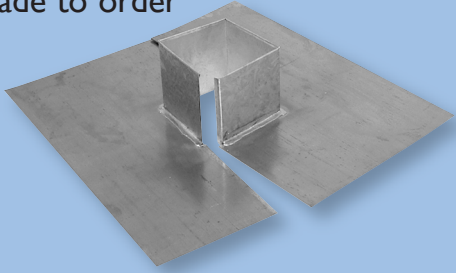
LEAD • COPPER • ZINC
Choose Your Metal...We've Got You Covered!



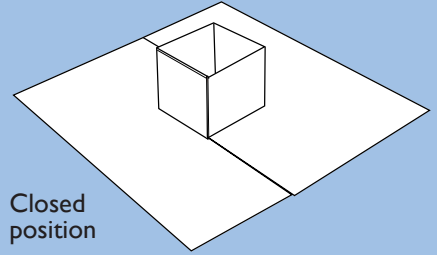


Pitch Pockets

Made to order



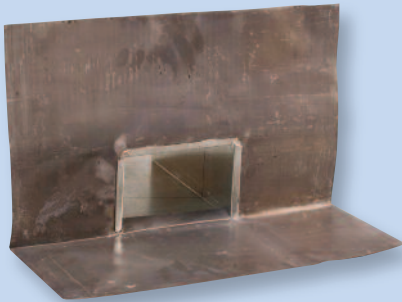
Open position



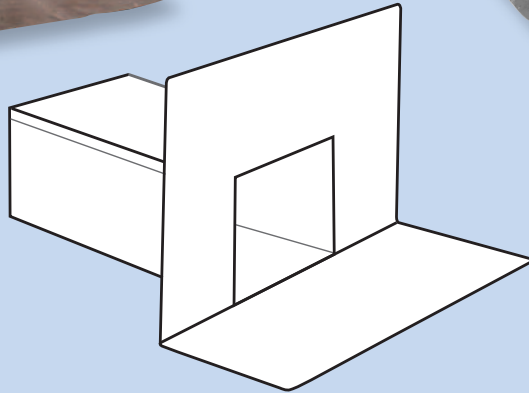
Closed position

Scuppers

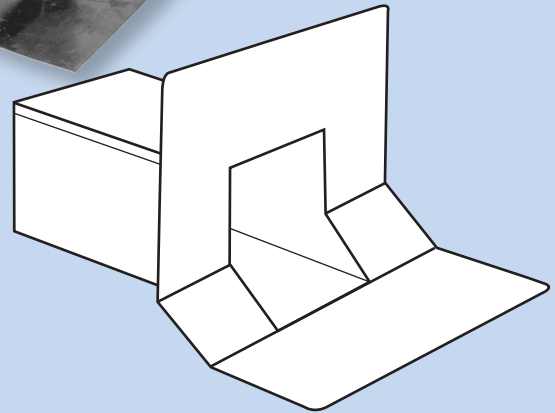
Made to order



Throughwall Scupper without Cant Strip



Throughwall Scupper with Cant Strip



Solder and Accessory Items



La-Co Paste Flux

Tri-Bar Solder



Flux Brushes



La-Co Liquid Flux



LEAD • COPPER • ZINC
Choose Your Metal...We've Got You Covered!

